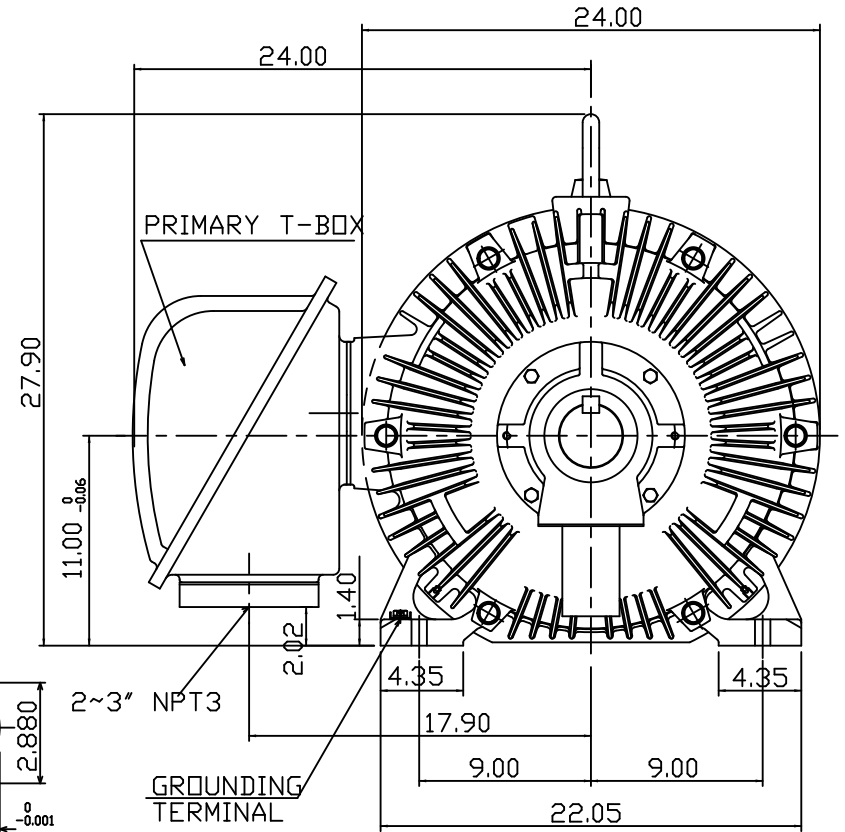
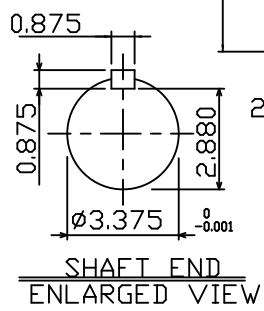
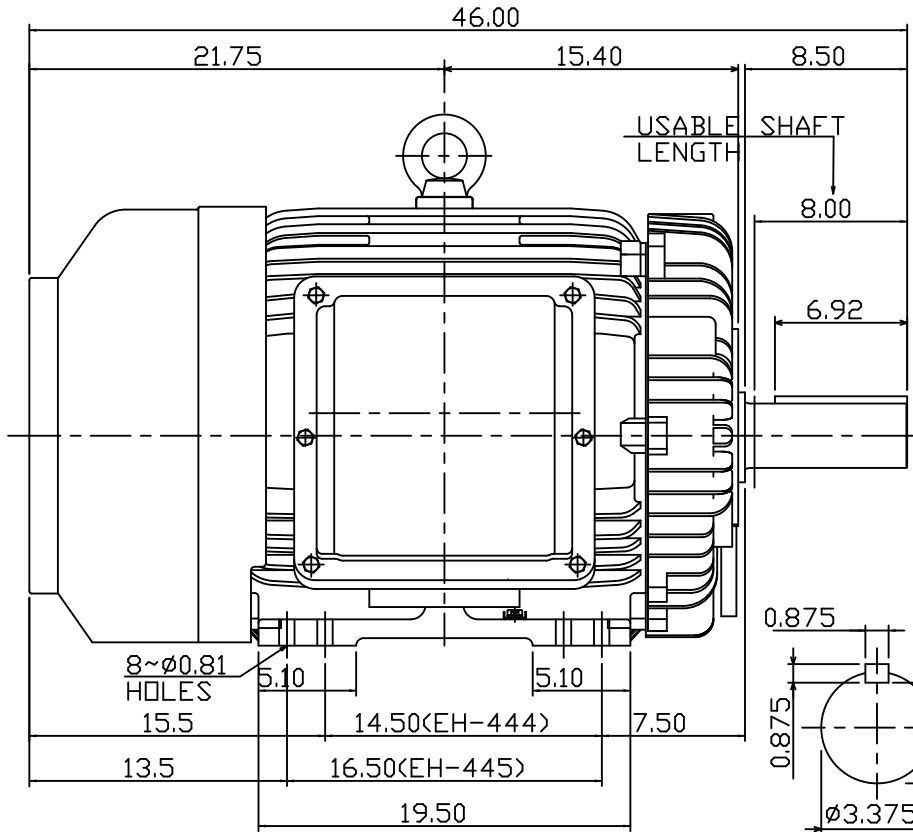


11 10 9 8 7 6 5 4 3 2 1

| POLE | HP  | kW   | Hz | VOLT    | r/min(RPM) | INS | RATING | DIMENSION IN | APPROX WEIGHT | BEARINGS            |
|------|-----|------|----|---------|------------|-----|--------|--------------|---------------|---------------------|
| 6    | 125 | 93.3 | 60 | 230/460 | 1200       | F   | CONT.  | INCHS        | 1995 LBS.     | DE: NU318 NDE: 6316 |

G  
F  
E  
D  
C  
B  
A  
a



- NOTE:
1. DIMENSIONS IN INCHES
  2. FRAME NO. 445T
  3. F CLASS INSULATION, S.F.1.15
  4. FOR BELT SERVICE
  5. ENCLOSURE: IP55
  6. WITH THERMISTOR: PTC 140°C 3PCS
  7. SHAFT MATERIAL: SCM440 Q&T (AISI 4140 EQUIV)
  8. CORROSION PROOF

| OUTLINE DIMENSIONS      |          |                         |            |
|-------------------------|----------|-------------------------|------------|
| 3-PHASE INDUCTION MOTOR |          |                         |            |
| MOTOR TYPE              | AEHHGD   | FRAME NO.               | EH-445T    |
| CATALOG NO.             | CDP1256R | DATE                    | 02-01-2018 |
| TEC  Westinghouse       |          | DWG NO.<br>31057G021300 |            |
| DWG.                    | C.COOK   | 02-01-18                |            |

11 10 9 8 7 6 5 4 3 2 1

第三角法